

**Kol. Opis****1 MAGNA1 25-100****NEW MAGNA1****Paznja! Slika proizvoda se može razlikovati od stvarnog proizvoda**Proizvodni broj: [99221214](#)

The new MAGNA1 is the simple option for a job well done. It is the perfect choice when replacing older circulators and due to its compliance with the EuP 2015 regulations, substantial savings on electricity is a reality. The ideal choice for basic performance needs in applications where basic system control and monitoring is desired.

- Monitoring via the fault relay, ensuring peace of mind
- Digital start/stop input available for remote pump control
- Continuous operation and reduced downtime with the wireless twin pump function (available on twin-head pumps)
- High energy efficiency resulting in substantial savings on electricity
- Easy setup and operation via the simple user interface
- No maintenance due to the canned-rotor type design.

MAGNA1 is the simple and efficient choice for most applications including

- Heating
  - Main pump
  - Mixing loops
  - Heating surfaces
- Cooling
  - Air conditioning surfaces
  - Ground source heat pump systems
  - Smaller chiller applications

**Te nost:**

Dizana te nost: voda  
Raspon temperature te nosti: 263 .. 383 K  
Selected liquid temperature: 333 K  
Gustina: 983.2 kg/m<sup>3</sup>

**Tehni ki:**

TF klasa: 110  
Saglasnosti na natpisnoj plo ici: CE,VDE,EAC,CN ROHS,WEEE

**Materijali:**

Ku ište pumpe: Liveno gvož e  
EN-GJL-200  
ASTM A48-200B  
Rotor: PES 30%GF

**Ugradnja:**

Opseg temperature okruženja: 273 .. 313 K  
Maksimalni radni pritisak: 1000 kPa  
Spajanje pumpe: G 1 1/2"  
Nazivni pritisak: PN10  
Dužina ugra ivanja: 180 mm

**Elektri ni podaci:**

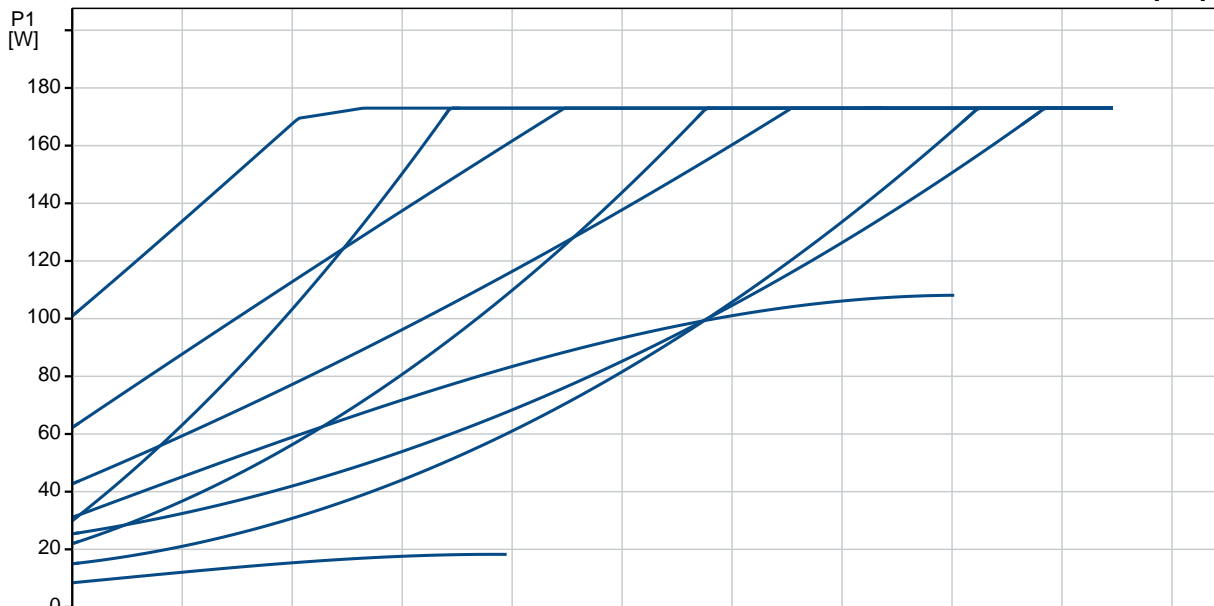
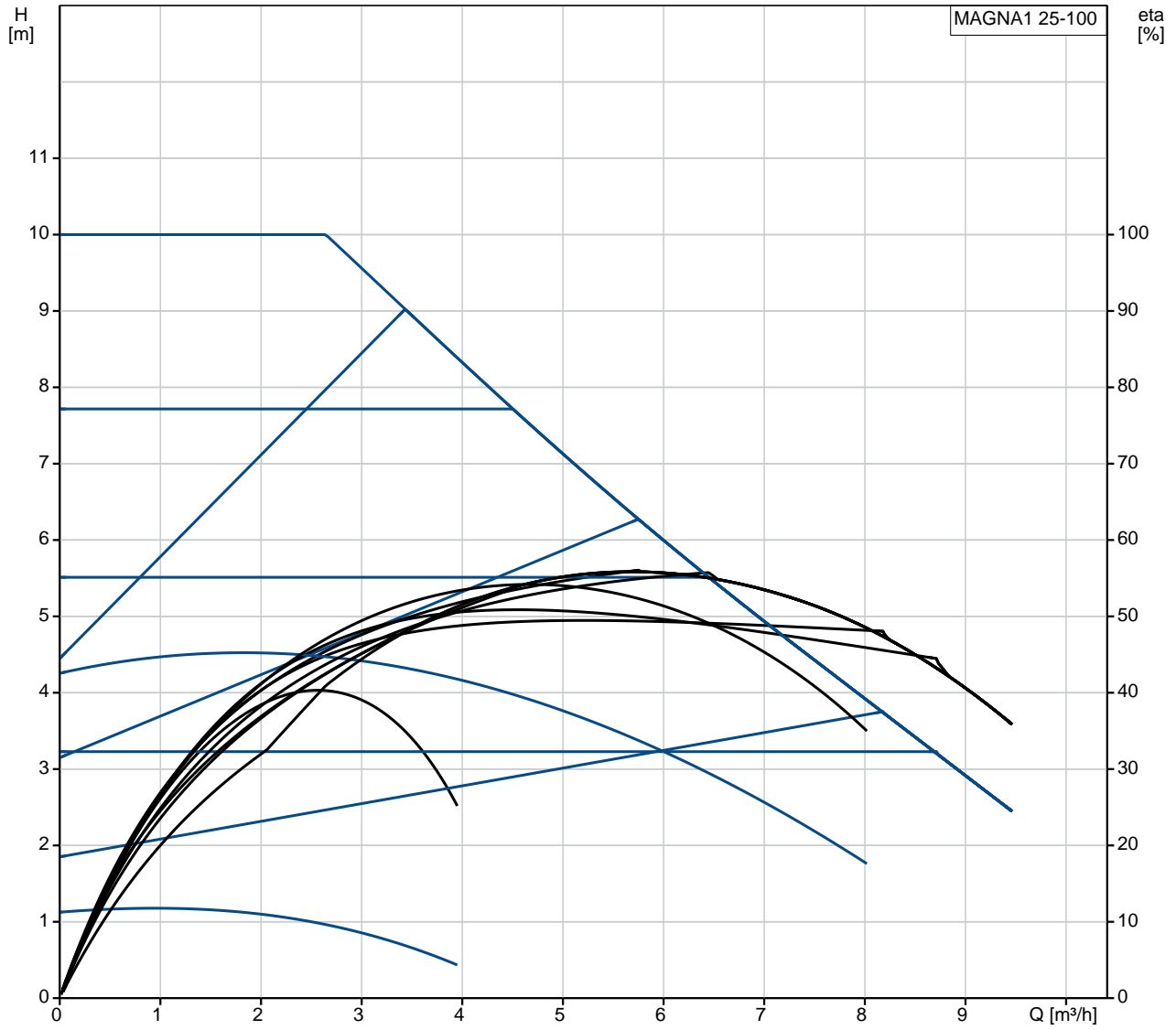
| Kol. | Opis |
|------|------|
|------|------|

|                               |                |
|-------------------------------|----------------|
| Potrebna snaga - P1:          | 9 .. 176 W     |
| Frekvencija struje:           | 50 / 60 Hz     |
| Potrebni napon:               | 1 x 230 V      |
| Maksimalna strujna potrošnja: | 0.09 .. 1.42 A |
| Klasa zaštite (IEC 34-5):     | X4D            |
| Klasa izolacije (IEC 85):     | F              |

**Ostali:**

|                    |                      |
|--------------------|----------------------|
| Energy (EEI):      | 0.20                 |
| Neto masa:         | 4.5 kg               |
| Bruto masa:        | 5 kg                 |
| Shipping volume:   | 0.013 m <sup>3</sup> |
| Finnish LVI No.:   | 4615233              |
| Country of origin: | DE                   |
| Custom tariff no.: | 84137030             |

## 99221214 MAGNA1 25-100



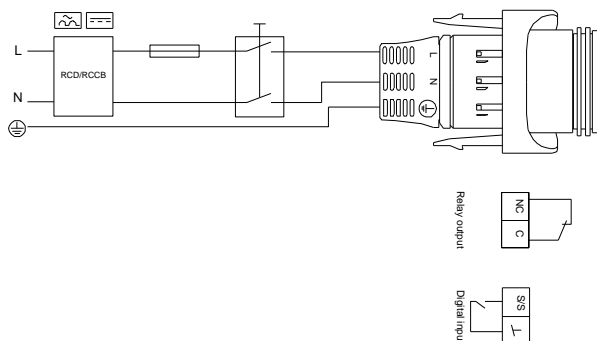
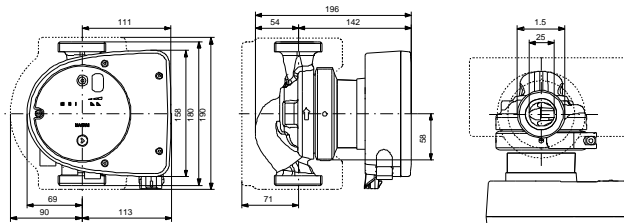
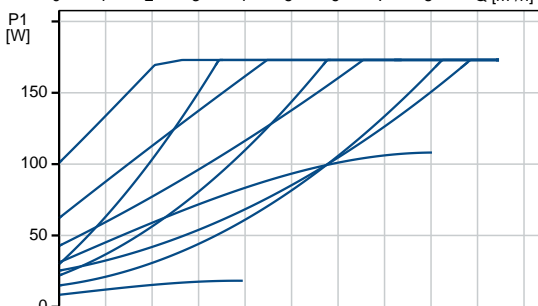
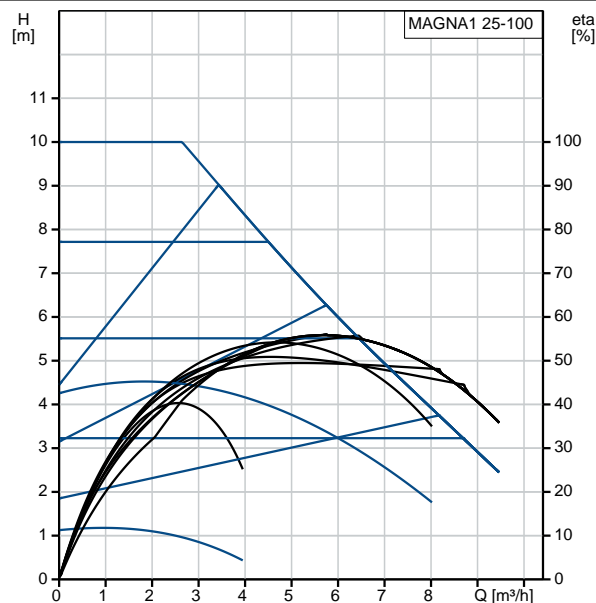
Naziv firme:

Napravio:

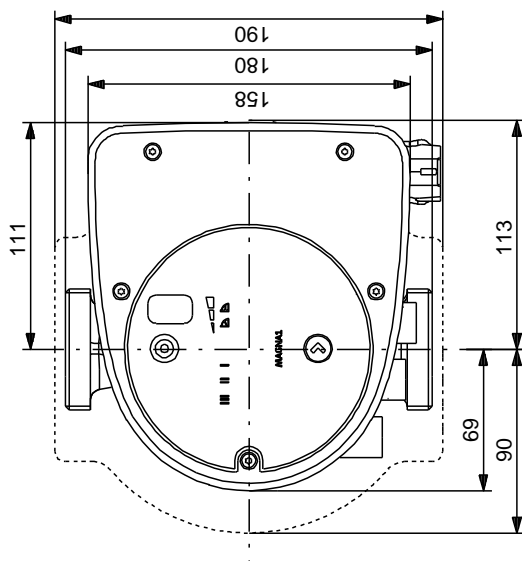
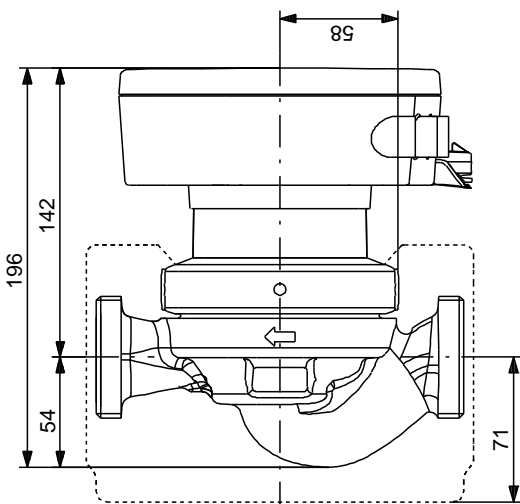
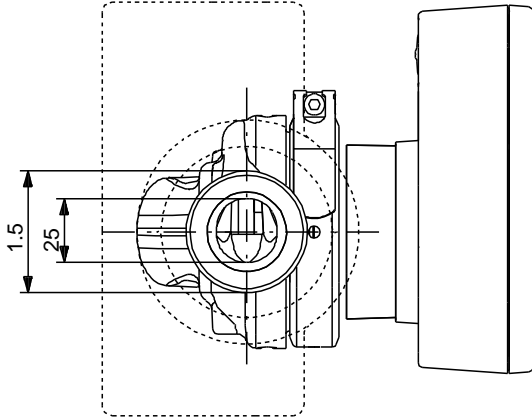
Telefon:

Datum: 23.4.2020.

| Opis                              | Vrednost                                     |
|-----------------------------------|--|
| <b>Opšte informacije:</b>         |  |
| Ime proizvoda::                   | MAGNA1 25-100                                |
| Šifra proizvoda:                  | 99221214                                     |
| EAN broj::                        | 5712608941870                                |
|                                   | 5712608941870                                |
| Cena:                             | 626,74 €                                     |
| <b>Tehni ki:</b>                  |  |
| Visina max.:                      | 10 m   |
| TF klasa:                         | 110  |
| Saglasnosti na natpisnoj plo ici: | CE,VDE,EAC,CN ROHS,WEEE                      |
| Model:                            | C  |
| <b>Materijali:</b>                |  |
| Ku ište pumpe:                    | Liveño gvož e<br>EN-GJL-200<br>ASTM A48-200B |
| Rotor:                            | PES 30%GF                                    |
| <b>Ugradnja:</b>                  |  |
| Opseg temperature okruženja:      | 273 .. 313 K                                 |
| Maksimalni radni pritisak:        | 1000 kPa                                     |
| Spajanje pumpe:                   | G 1 1/2"                                     |
| Nazivni pritisak:                 | PN10   |
| Dužina ugra ivanja:               | 180 mm                                       |
| <b>Te nost:</b>                   |  |
| Dizana te nost:                   | voda   |
| Raspon temperature te nosti:      | 263 .. 383 K                                 |
| Selected liquid temperature:      | 333 K  |
| Gustina:                          | 983.2 kg/m <sup>3</sup>                      |
| <b>Elektri ni podaci:</b>         |  |
| Potrebna snaga - P1:              | 9 .. 176 W                                   |
| Frekvencija struje:               | 50 / 60 Hz                                   |
| Potrebni napon:                   | 1 x 230 V                                    |
| Maksimalna strujna potrošnja:     | 0.09 .. 1.42 A                               |
| Klasa zaštite (IEC 34-5):         | X4D  |
| Klasa izolacije (IEC 85):         | F  |
| <b>Ostali:</b>                    |  |
| Energy (EEI):                     | 0.20   |
| Neto masa:                        | 4.5 kg                                       |
| Bruto masa:                       | 5 kg   |
| Shipping volume:                  | 0.013 m <sup>3</sup>                         |
| Finnish LVI No.:                  | 4615233                                      |
| Country of origin:                | DE   |
| Custom tariff no.:                | 84137030                                     |

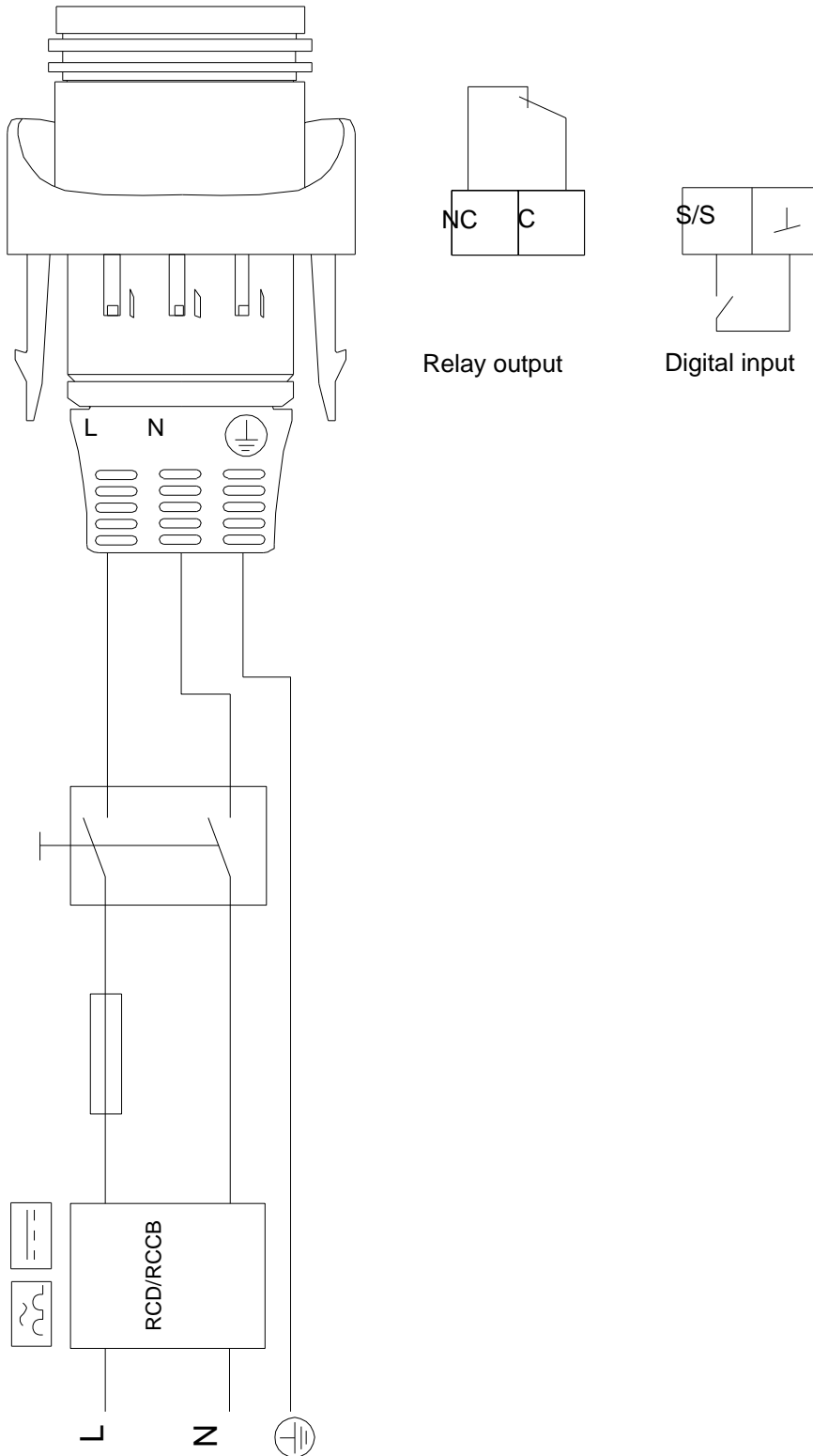


## 99221214 MAGNA1 25-100



Napomena! Sve jedinice su u [mm]ukoliko druga nije navedeno.  
Upozorenje: Ovaj pojednostavljeni dimenzioni crtež ne pokazuje sve detalje.

## 99221214 MAGNA1 25-100



Pažnja! Sve jedinice su u [mm] ukoliko nije re eno druga ije.